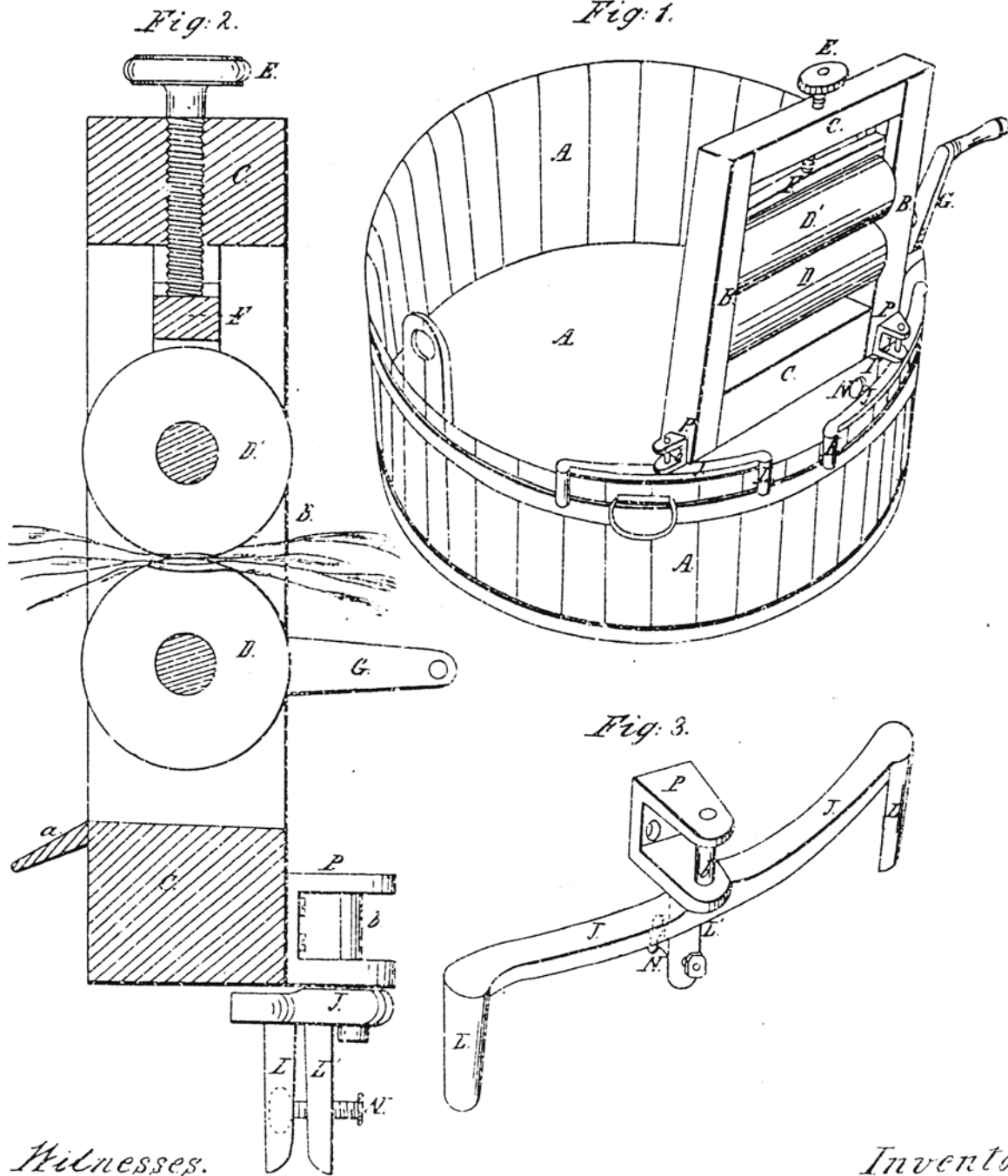


A. H. Page,
Clothes Wringer,
No. 61, 680, *Patented Jan. 29, 1867.*



Witnesses.
J. D. Patton
Henry G. Cobby

Inventor.
Alby H. Page
By Geo. J. Cobby Atty.

UNITED STATES PATENT OFFICE.

ALBY H. PAGE, OF SOUTH BOSTON, MASSACHUSETTS, ASSIGNOR TO W. B. & N. A. RHOADS AND GEO. J. COLBY, SAID COLBY HAVING ASSIGNED HIS RIGHT TO DAVID LYMAN.

REISSUED

IMPROVEMENT IN CLOTHES-WRINGERS.

Specification forming part of Letters Patent No. 61,680, dated January 29, 1867.

To all whom it may concern:

Be it known that I, ALBY H. PAGE, of South Boston, in the county of Suffolk and State of Massachusetts, have invented a new and useful Invention in Clothes-Wringers; and I do hereby declare that the following is a full, clear, and exact description thereof, reference being had to the accompanying drawings and to the letters of reference thereon, in which—

Figure 1 represents a perspective view of a wash-tub with my improved wringer clamped thereto. Fig. 2 is a vertical transverse section taken through the wringer, and showing the operation of the same. Fig. 3 is a perspective view of the clamp removed from the wringing-frame.

My invention relates to the wringing, washing, and starching of clothes by passing them between parallel rollers covered with India rubber or other elastic gum, and so arranged and adjusted that the clothes can be passed between them with a proper degree of pressure to expel the water or other liquid.

A represents an ordinary wash-tub. B B and C C represent a frame, of wood or other suitable material, for holding the rolls, with the projecting piece A to convey the water into the tub. D D are two rollers, which are parallel to each other and have their bearings in the frame pieces or standards B B. These rollers are covered with white or light-colored India rubber. The upper roller, B, is capable of adjustment by means of a thumb-screw, E, which presses upon a bridge, F, which presses upon the bearing-blocks of the upper roller. The advantage of this manner of adjusting the pressure by means of a single screw and bridge from one bearing to the other are obvious, as it allows the roll to balance on the point of

pressure, and either end to rise or open most according to the thickness of clothes passing through, and only one screw has to be turned to adjust the roll. The roller D is rotated by crank G on the outside of the frame. J J represent two curved bars with fingers L D L, set-screw N, brackets P, with stud b, which constitute my arrangement for clamping the wringer to a tub. The advantage of this arrangement consists in the employment of a swivel or joint which allows the clamping device to turn, and thus adapt itself perfectly to tubs and washing-machines of different sizes and forms.

Having thus fully described my invention, I will refer more particularly to what I claim as new and useful.

I do not claim the application of an elastic gum to the rolls of the wringing-machine; nor do I claim the application of screws for adjusting the pressure; but

What I claim as my invention, and desire to secure by Letters Patent, is—

1. The combination, with the standards of a wringing-machine, of a clamping device under an arrangement such as described, so that said machine may be adjusted to tubs of various diameters.

2. In combination with the standards of wringing-machines and clamping devices, as described, I claim the use of screws or their equivalents for the purpose of firmly securing the wringer after its adjustment to the tub, substantially as set forth.

3. I claim the application of a clamping device to a wringer with a swivel-joint to adapt itself to tubs of various forms.

Witnesses: ALBY H. PAGE.

THOMAS J. A. GROSS,
HENRY G. COLBY.