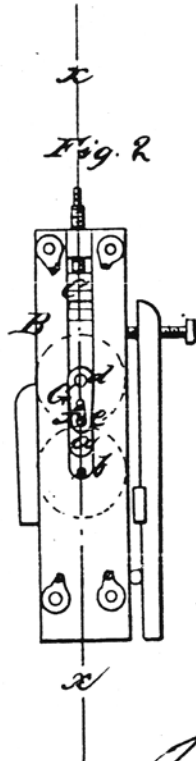
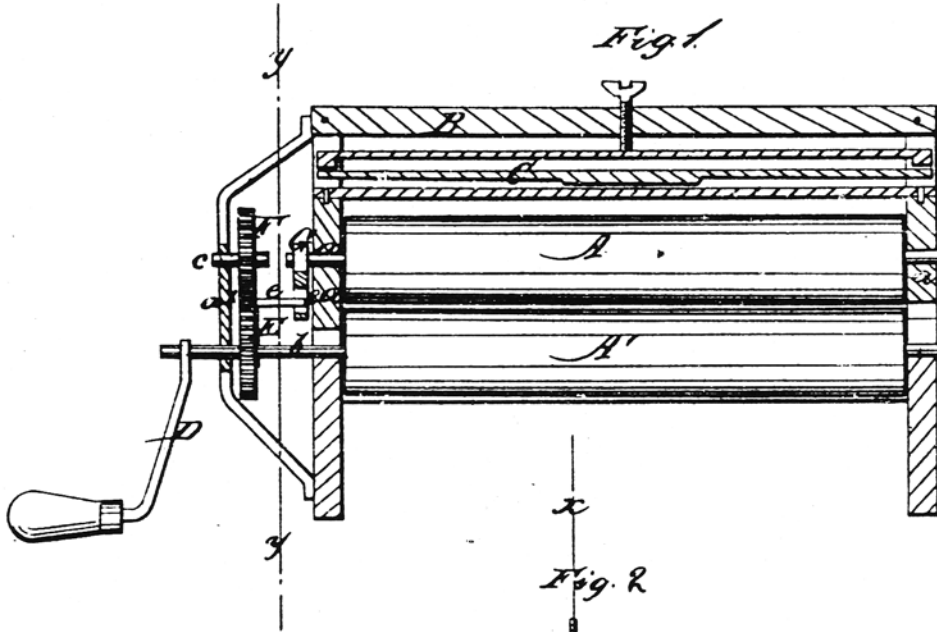


*J. N. Pease,*

*Wringer,*

*N<sup>o</sup> 47,774.*

*Patented May 16, 1865.*



*Witnesses.*  
*Thos. Trench*  
*Wm. Brewin*

*Inventor.*  
*James N. Pease*  
*per Wm. L. Pease*  
*att'y.*

# UNITED STATES PATENT OFFICE.

JAMES N. PEASE, OF PANAMA, NEW YORK, ASSIGNOR TO M. HARRIS AND R. G. BUSH, OF SAME PLACE.

## IMPROVED CLOTHES-WRINGER.

Specification forming part of Letters Patent No. 47,771, dated May 16, 1865.

*To all whom it may concern:*

Be it known that I, JAMES N. PEASE, of Panama, in the county of Chautauqua and State of New York, have invented a new and useful Improvement in Clothes-Wringers; and I do hereby declare that the following is a full, clear, and exact description thereof, which will enable others skilled in the art to make and use the same, reference being had to the accompanying drawings, forming part of this specification, in which—

Figure 1 is a longitudinal vertical section of my invention, taken in the line *x x*, Fig. 2; Fig. 2, a transverse vertical section of the same, taken in the line *y y*, Fig. 1.

Similar letters of reference indicate like parts.

This invention relates to a new and useful improvement in that class of clothes-wringers in which gearing is employed to connect the two rollers thereof; and it consists in arranging or applying the gearing in such a manner that the movable or adjustable roller will be allowed to yield or give, so as to allow heavy or thin clothing to pass between the rollers without affecting the gearing in the least, the latter being allowed to mesh perfectly in whatever position the rollers may be relatively with each other.

A A' represent two rollers of a clothes-wringing machine, and B is the frame thereof. The upper roller, A, has its bearings in sliding blocks *a a*, which are fitted in slots in the sides of the frame, and have springs C bearing upon them, which have a tendency to press the upper roller, A, down upon the lower one, A', as shown clearly in Fig. 1. The lower roller, A', has its shaft *b* extending considerably beyond it at one end, and is provided with a crank, D, and also has upon it a toothed wheel, E, which gears into a corresponding wheel, F, the axis *e* of which is in line with, but separate from, the shaft *d* of the upper roller, A, and has its bearing in a curved bracket, A\*, at the side of the frame B. (See Fig. 1.) The wheel F has a wrist or pin, *e*, projecting from it near its periphery, and this wrist or pin fits in an oblong slot, *f*, in a crank, G, which is attached to the shaft

*d* of the upper roller, A. (See both figures.) By this arrangement it will be seen that when the lower roller, A', is turned motion will be communicated to the upper roller, A, through the medium of the wheels E F, wrist *e*, and crank G; and it will further be seen that in consequence of the wrist *e* fitting in the oblong slot *f* of the crank G the upper roller, A, will be allowed to yield or give—move nearer to or farther from the lower roller, A'—without affecting the wheels E F in the least, the latter always having the same relative position with each other, however much the roller A may be moved under the action of the springs C, and the clothes passing between it and the lower roller, A', and the upper roller will be allowed to work or move parallelly with the lower one, which is not the case with the ordinary geared wringing-machines, as the geared end of the movable or adjustable roller does not yield or give as much as its opposite end. It cannot be allowed to do so without having the two wheels or gears getting out of gear with each other, even if they have deep or long teeth, for it will be understood that in the ordinary geared wringing-machine both wheels are attached to the shafts of their respective rollers, and long on deep teeth are depended upon for allowing the adjustable roller to yield or give and still have the wheels kept in gear. This is a very imperfect arrangement, for gearing never works well in cases where the teeth are continually changing their position relatively with each other, much wear and tear is occasioned by it, and considerable friction is created.

I claim as new and desire to secure by Letters Patent—

The two fixed gears E F, in connection with the wrist *e* and slotted crank G, or their equivalents, all arranged and applied to the rollers of a clothes-wringing machine, to operate in the manner substantially as and for the purpose herein set forth.

JAMES N. PEASE.

Witnesses:

MILO HARRIS,  
RICHARD G. BUSH.