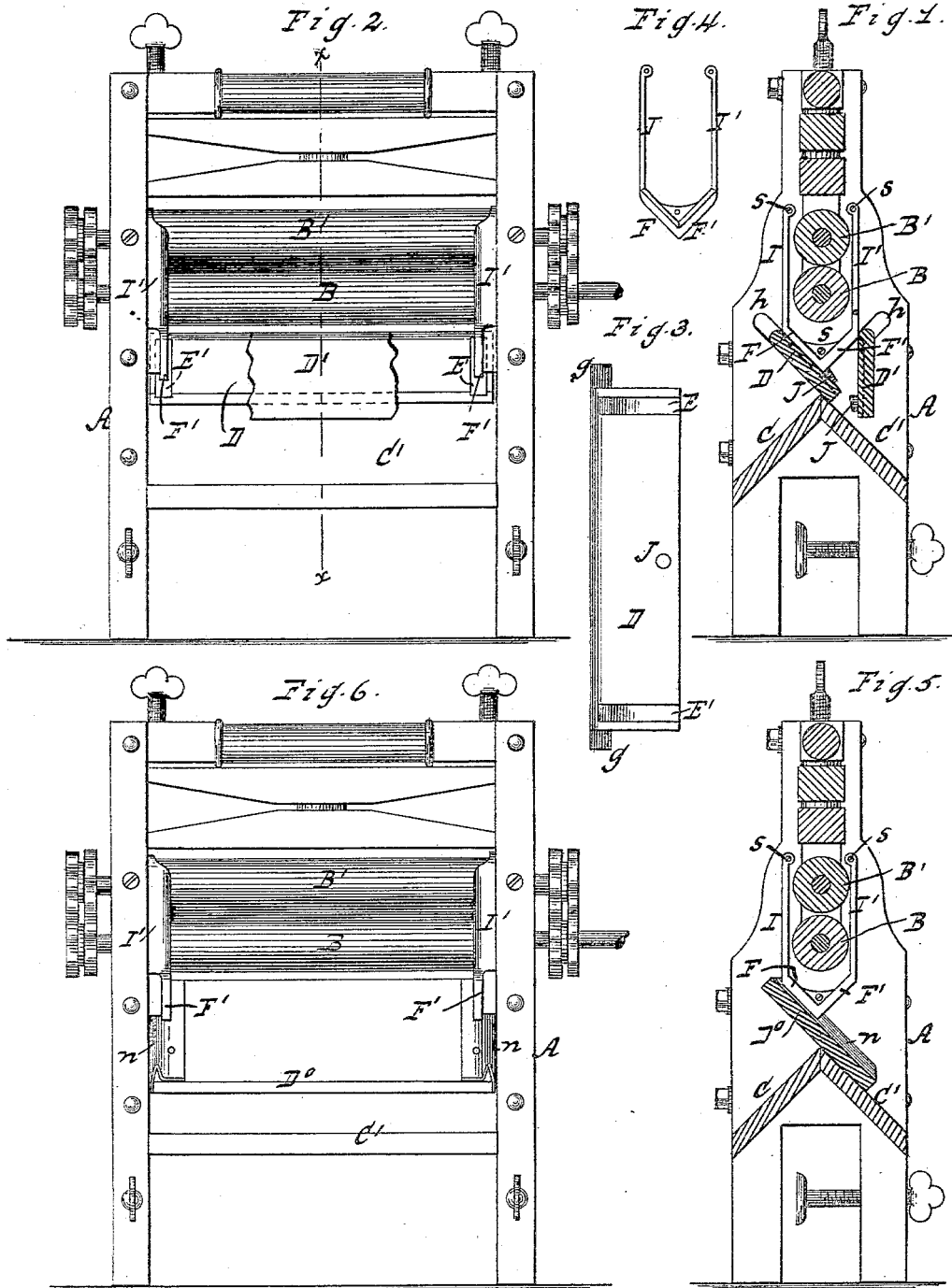


(No Model.)

A. M. BAILEY  
CLOTHES WRINGER.

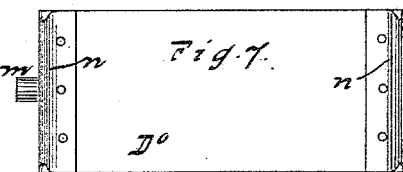
No. 318,850.

Patented May 26, 1885.



WITNESSES:

*William Miller*  
*Otto Hufeland*



INVENTOR

*Alfred M. Bailey*

BY

*Van Santvoord & Hauck*

ATTORNEYS

# UNITED STATES PATENT OFFICE.

ALFRED M. BAILEY, OF MIDDLEFIELD, CONNECTICUT, ASSIGNOR TO THE METROPOLITAN MANUFACTURING COMPANY, OF SAME PLACE.

## CLOTHES-WRINGER.

SPECIFICATION forming part of Letters Patent No. 318,850, dated May 26, 1885.

Application filed February 21, 1884. (No model.)

*To all whom it may concern:*

Be it known that I, ALFRED M. BAILEY, a citizen of the United States, residing at Middlefield, in the county of Middlesex and State of Connecticut, have invented new and useful Improvements in Clothes-Wringers, of which the following is a specification.

This invention relates to improvements in that class of clothes-wringers which are provided with interchangeable or oscillating drip-boards to convey the water from the wringer-rolls to one or the other side of the machine.

The object of my invention is to provide novel means for preventing water received on the drip-boards from running over the ends thereof. This object I accomplish in the manner and by the construction and combination of devices hereinafter described and claimed, reference being made to the accompanying drawings, illustrating my invention, in which—

Figure 1 is a cross-section showing one of the drip-boards in position for use, on line *x x* of Fig. 2. Fig. 2 is a side view, with a portion of one of the drip-boards broken away to expose the parts beneath it. Fig. 3 shows one of the drip-boards detached. Fig. 4 shows one of the double-inclined water guides or deflectors detached. Figs. 5, 6, and 7 illustrate a modification.

Similar letters indicate similar parts.

The letter *A* designates the wringer-frame, which may be of any usual or suitable construction, and in which are mounted the wringer-rolls *B B'*, one above the other.

The letters *C C'* denote the water-shed; *D D'*, the drip-boards; *E E'*, the grooves of the drip-boards, and *F F'*, the double-inclined water guides or deflectors. The grooves extend across the drip-boards and form end channels depressed below the plane of the board.

The water-shed *C C'* is arranged below the rolls *B B'* in the wringer-frame, it being inclined from the center toward the opposite sides of the frame, and the drip-boards *D D'* are provided with journals *g*, whereby they are mounted in elongated bearings *h* of the frame in such a manner that the free edge of either board may pass the top of the water-

shed and rest on or lap over the same, as shown in Fig. 2.

The grooves *E E'* extend transversely of the drip-boards on their inner surfaces, and are located at or near each end of the boards, thus acting as traps to catch the water that may flow toward such ends.

The water-deflectors *F F'* are secured to the ends of the wringer-frame in the proper positions to enter the grooves *E E'* of either drip-board when it is adjusted on the water-shed, and serve to prevent the water from running off at the ends of the drip-board. Said deflectors *F F'* are cast or otherwise formed in one piece with cheeks *I I'*, which act as guards to protect the clothes passing between the rolls *B B'* against being caught by the ends of the rolls, such cheeks or guards being on opposite sides of the rolls, and the whole being secured to the frame by screws *s*, or other suitable fastenings.

When either of the drip-boards *D D'* is put in place on the water-shed *C C'*, it strikes against the lower edge of the other board, thereby displacing the latter; and to facilitate this operation the inner surface of each board is provided with a stud or projection, *J*, at the lower edge and at about the mid-length, to strike the other board, either board thus clearing a space for itself before it gets into place.

Instead of the water-shed *C C'*, any other suitable intermediate support for the drip-boards *D D'* may be used—as, for example, a simple upright partition-board, as described in Letters Patent of the United States No. 122,658, dated January 9, 1872; and instead of the interchangeable drip-boards *D D'*, a single board, *D<sup>o</sup>*, may be used, a detached view of which is shown in Fig. 7, while the same is shown in the wringer in Figs. 5 and 6. This drip-board has two gudgeons, *m m*, at the middle of its width, which have their bearings in each side of the wringer-frame *A*, so that it can be swung so as to rest upon the part *C'* of the water-shed, (see Fig. 5,) or so as to rest upon the part *C* of said water-shed. In the example shown in the drawings this drip-board is provided with end flanges, *n n*, but the drip-board may be provided with grooves which

engage with the deflectors, and in that case the end flanges may be omitted.

What I claim as new, and desire to secure by Letters Patent, is—

- 5 1. In a clothes-wringer, the combination of the frame A, the flat drip-board having its ends pivoted in close proximity to the frame, and having a transverse groove in its upper surface adjacent to each end, and the deflectors secured in direct contact with the frame, and having lips to enter the grooves in the drip-board for preventing the water from running off at the ends of the flat drip-board, substantially as described.
- 10 2. The combination of the frame, the inter-
- 15 changeable drip-boards, each having its inner

surface provided with a stud or projection at the lower edge, and an intermediate support for the boards, substantially as described.

3. The combination of the frame, the water- shed, and the pivoted swinging interchangeable drip-boards, each having its inner surface provided with a stud or projection at the lower edge, substantially as described.

In testimony whereof I have hereunto set my hand and seal in the presence of two subscribing witnesses.

ALFRED M. BAILEY. [L. s.]

Witnesses:

WILLIAM LYMAN,  
WM. P. RICHARDSON.